

RE55 CONTROLLER

FEATURES:

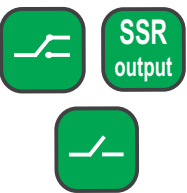


- Temperature input (thermocouple or resistance thermometer).
- Control output: relay or transistor.
- Alarm output: relay (option).
- Control: on/off of PID with auto-tuning (option).
- Setting of the set point value by means of the knob.
- Programming push-buttons (option).

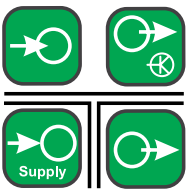
INPUT:



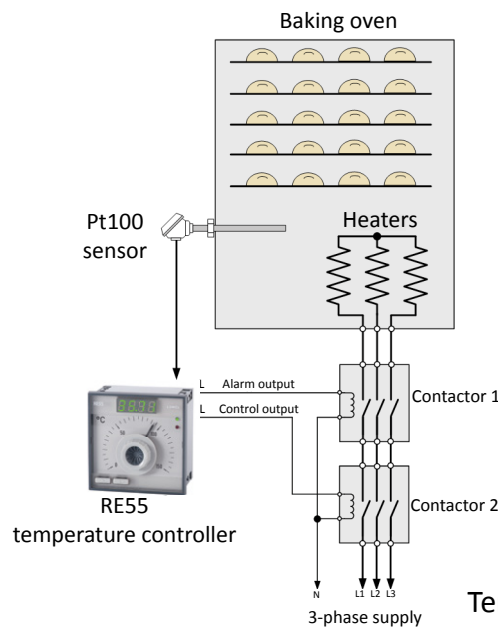
OUTPUTS:



GALVANIC ISOLATION:



EXAMPLE OF APPLICATION



Temperature control in a baking oven.

INPUT

Input type	Range	Error	Basic error
Pt100	-50 .. 100°C	0.8°C	Compensation of thermocouple cold junction temperature changes: $\leq 2^\circ\text{C}$
Pt100	0 .. 100°C	0.5°C	
Pt100	0 .. 150°C	0.8°C	
Pt100	0 .. 250°C	1.3°C	Ambient temperature change: $\leq 100\%$ of basic error/ 10 K
Pt100	0 .. 400°C	2.0°C	
Pt100	0 .. 600°C	3.0°C	Resistance thermometer line resistance change: $\leq 50\%$ of basic error
Fe-CuNi (J)	0 .. 250°C	2.0°C	
Fe-CuNi (J)	0 .. 400°C	2.0°C	
Fe-CuNi (J)	0 .. 600°C	3.0°C	
Fe-CuNi (J)	0 .. 900°C	4.0°C	
NiCr-NiAl (K)	0 .. 600°C	3.0°C	
NiCr-NiAl (K)	0 .. 900°C	4.0°C	
NiCr-NiAl (K)	0 .. 1300°C	6.0°C	
PtRh10-Pt (S)	0 .. 1600°C	8.0°C	

OUTPUT

Output type	Properties	Remarks
Relay (control)	- 1 output	switch-over contact, 2 A/ 230 V
Transistor voltage (control)	- 1 output 5 V	resistance limiting the current 10 Ω , without isolation from input side
Relay (alarm)	- 1 output	NO contact, 1 A/ 230 V

RE55 CONTROLLER

EXTERNAL FEATURES

Readout field	LED	10 mm, 4 digits
Overall dimensions	96 × 96 × 65 mm	
Weight	< 0.3 kg	
Protection grade	from frontal side: IP40	from terminal side: IP20

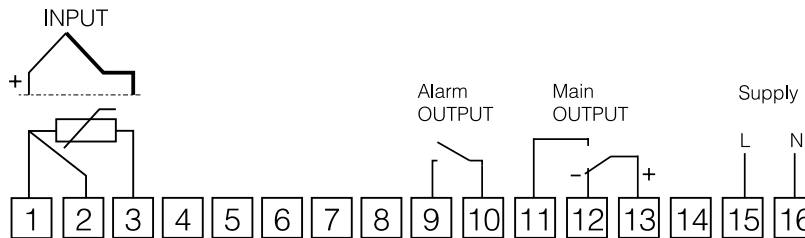
RATED OPERATING CONDITIONS

Supply voltage	85 .. 253 V d.c./a.c.	frequency: 40 .. 440 Hz
Temperature	ambient: 0...23...50°C	storage: -20...70°C
Humidity	< 85% without condensation	
Operating position	any	
External magnetic field	< 400 A/m	
Power input	< 4 VA	

SAFETY AND COMPATIBILITY REQUIREMENTS

Electromagnetic compatibility	noise immunity	acc. to EN 61000-6-2
	noise emissions	acc. to EN 61000-6-4
Pollution level	2	
Installation category	III	
Maximum phase-to-earth operating voltage	for supply circuit, output: 300 V	for input circuits: 50 V
Altitude above sea level	up to 2000 m	

CONNECTION DIAGRAMS



ORDERING

		RE55 -	XX	X	X	XX	X
Input:							
Pt100/1.3850	-50..100°C		01				
	0..100°C		02				
	0..150°C		03				
	0..250°C		04				
	0..400°C		05				
	0..600°C		06				
Fe-CuNi (J)	0..250°C		07				
	0..400°C		08				
	0..600°C		09				
	0..900°C		10				
NiCr-NiAl (K)	0..600°C		11				
	0..900°C		12				
	0..1300°C		13				
PtRh10-Pt (S)	0..1600°C		14				
as per order*			99				
Option:							
on/off controller						1	
PID controller							2
configurable controller with push-buttons							3
Control output:							
relay							1
voltage 0/5 V							2
Version:							
standard							00
custom-made*							XX
Additional quality requirements:							
without additional quality requirements							8
with an extra inspection quality certificate							7
acc. to customer's request**							X

Order example:

The code: **RE55 - 02 1 1 00 8** means:

RE55 - controller of RE55 type

02 - input Pt100: 0..100°C

1 - on/off control

1 - control output: relay

00 - standard version

8 - without additional quality requirements.



Sifam Tinsley Instrumentation Ltd

1 Warner Drive, Springwood Industrial Estate,
Braintree, Essex CM7 2YW

Contact No. : +44 (0) 1376 335271

Email: sales@sifamtinsley.com

www.sifamtinsley.co.uk

* after agreeing with the manufacturer

** the ordering code will be established by the manufacturer