



DATASHEET

Issue 1



- Multifunction Meters
- Transducers & Isolators
- Temperature Controllers
- Converters & Recorders
- Digital Panel Meters
- Current Transformers
- kWh Energy Meters
- Analogue Panel Meters
- Shunts
- Digital Multimeters
- Digital Multimeters
- Protection Relays
- Synchroscope Series
- Power Supplies
- Test & Measurement

BREAKER CONTROL SWITCH (TNC)

CURRENT RATING 16A, 25A, 32A

SUBJECT TO CHANGE WITHOUT NOTICE

This datasheet superseded all previous versions – please keep for future reference

Features

- Compact Design
- 30°, 45°, 60° & 90° Throw
- Pistol Grip Handle
- Spring Loaded Mechanism
- Standard Mounting Plate
- Lost Motion (Bell Alarm) Contacts
- Standard Mounting Plate

BREAKER CONTROL SWITCH (TNC)



Introduction

Breaker Control Switch is designed on packet type construction. Each packet consists of two electrically independent double break contacts actuated by a Cam. It is developed to cover the wide range of application such as control of Circuit Breaker, Small Motors and wherever severe frequent operations are required.

Breaker Control Switch Types

SPRING RETURN SWITCH: This type switch is supplied for a preferred 45° or 60°.

SPRING RETURN AND LOST MOTION: This type of switch is divided in two parts. The front portion of the switch containing contacts with spring return action and the rear portion accommodation with lost motion device. This switch is supplied with 45° or 60° operating angle.

These contacts are also known as Lost Motion Contacts. They help identify the last operation (Trip/ Close) performed by the operator through the TNC switch.

Application

TNC switch is a three position switch , when it is in close position it put the circuit breaker in operation by energizing the closing coil and when it is in trip position it will trip the circuit by energising the trip coil in circuit breaker.

The switch return to neutral position after any operation (either close or trip) . It makes close & open commands momentarily.

A focused range of Rish Cam Spring Return Series switches cover most of applications with different contact designs,contact materials and terminal allow their use as control switches as well as in electronic circuitry and in aggressive environment according to IEC/EN 60947-1,3 &5

General Endurance: Mechanical

100,000 operations at
300 cycles/hour

Electrical

10,000 operations at
120 cycles/hour
25°C to 55°C, frequency
upto 5 kHz

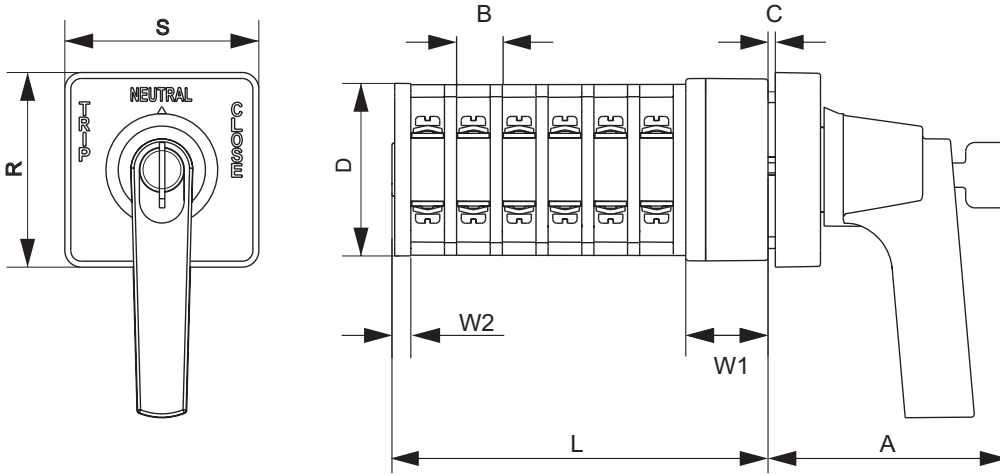
Technical Specifications

Description	Unit	S16	S25	S32	
Rated Operational Voltage Ue	V AC	690	690	690	
	V DC	250	250	250	
Resistance to Surge Voltage Uimp	kV	6	6	6	
Rated Uninterrupted Current Ith	A	20	32	40	
Rated Operational Current Pilot Duty Ac15 Ie					
220-240V AC	A	5	8	14	
380-440V AC	A	4	5	6	
Short circuit protection HRC fuse size	A	16	25	32	
Rated short circuit	kA	5	10	10	
Terminal cross section					
Rigid wire	min	mm ²	1.5	1.5	2.5
	max		4	4	6
Flexible wire	min	mm ²	1	1	1.5
	max		2.5	2.5	4
Terminal Screw		M3	M4	M4	
Terminal Tightening Torque		0.8 Nm	1.2 Nm	1.2 Nm	

DC Breaking Capacity

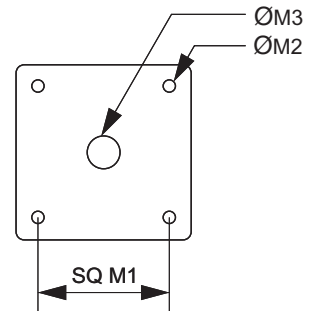
Voltage	No of Contacts in series	DC Breaking Capacity							
		Resistive Amps	S25/SG 25 Inductive L/R Amps			Resistive Amps	S32/SG32 Inductive L/R Amps		
			10 msec	20 msec	40 msec		10 msec	20 msec	40 msec
50V	1	20	20	15	6	25	25	18	8
	2	-	-	20	14	-	-	25	18
	3	-	-	-	20	-	-	-	25
125V	1	3	2.5	1.5	1.0	5	3	2	1.2
	2	20	15	10	5	25	18	12	6
	3	-	20	20	10	-	25	25	12
250V	1	1.0	0.5	0.3	0.2	1.2	0.6	0.4	0.3
	2	5	2	1.0	0.5	6	2.5	1.2	0.6
	3	20	10	4	1	25	12	5	1.2

Dimensional Drawings

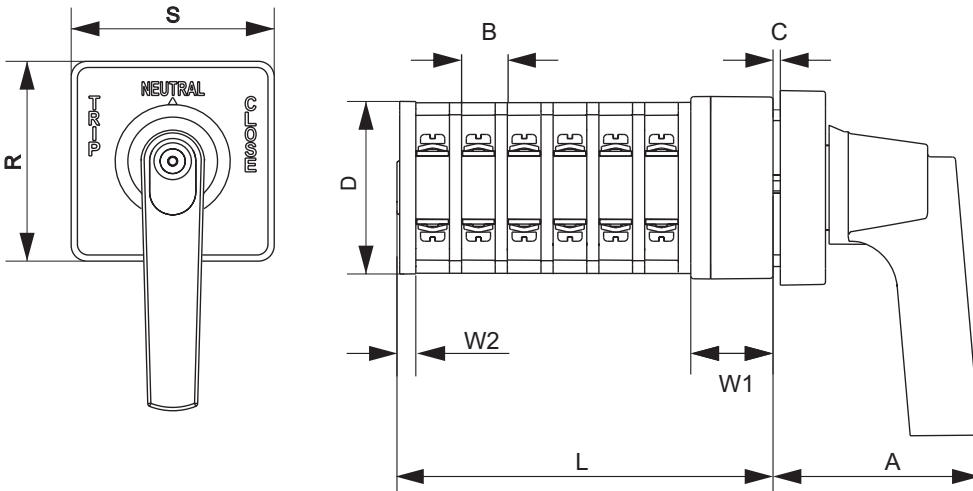


WITH LOCK								
Current Rating	A	B	C _(Max.)	D	W1	W2	R	S
16A	77.8	9.5	3	43	19	5	63.5	63.5
25A	77.8	15.15	3	56.7	27.15	6.7	63.5	63.5
32A	77.8	15.15	3	56.7	27.15	6.7	63.5	63.5

Length (L) = No of Packets x B+W1+W2



Drilling Plane



WITHOUT LOCK								
Current Rating	A	B	C _(Max.)	D	W1	W2	R	S
16A	61.8	9.5	3	56.7	43	5	65	65
25A	61.8	15.15	3	56.7	27.15	6.7	65	65
32A	61.8	15.15	3	56.7	27.15	6.7	65	65

Length (L) = No of Packets x B+W1+W2

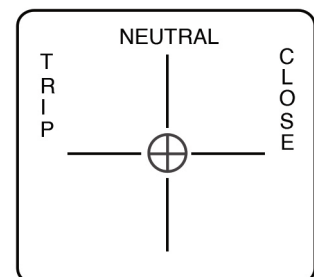
Technical Specifications

TSRX-	X	X	XX	X	X	X	X	XX	X	XX
BCS	TSR4-									
Ampere Code										
16A	B									
25A	D									
32A	E									
Mechanism										
Spring Return	S									
Spring Return with LMD	L									
Type										
1NO-1NC			01							
2NO-2NC			02							
3NO-3NC			03							
4NO-4NC			04							
5NO-5NC			05							
6NO-6NC			06							
7NO-7NC			07							
8NO-8NC			08							
9NO-9NC			09							
LMD : Lost Mo on Device										
No LMD				0						
1NO-1NC with LMD				1						
2NO-2NC with LMD				2						
3NO-3NC with LMD				3						
4NO-4NC with LMD				4						
Angle										
30D						3				
45D						4				
60D						6				
90D						9				
Lock Type										
With Lock							T			
Without Lock							M			
Knob shape										
Pistol Shape								P		
Front plate colour										
Black & Grey								BG		
RED & Yellow								RY		
Black & Black								BB		
Blank										
									0	
Customer Specification										
										00

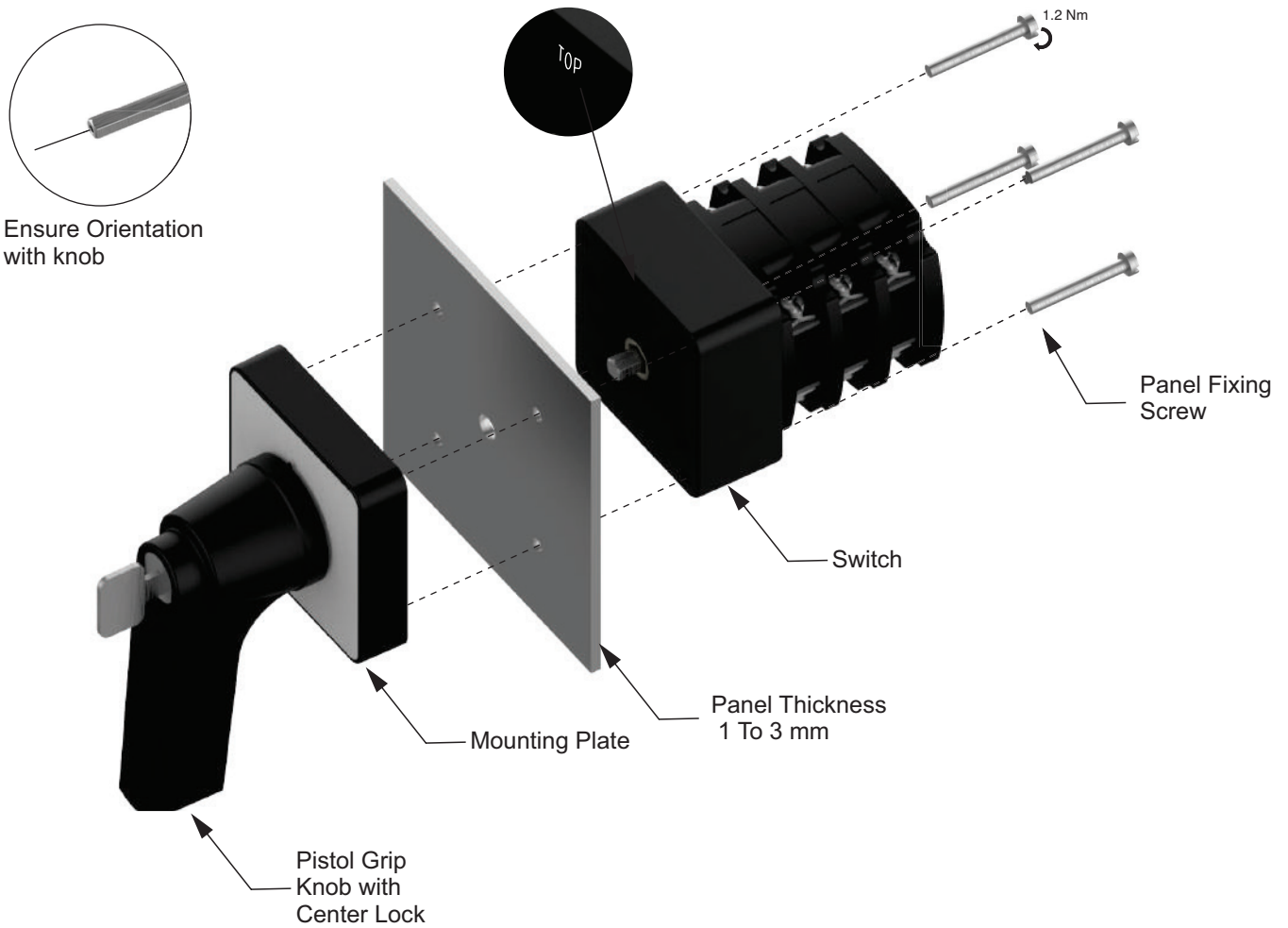
Note: Current rating options like 10A, 16A, 20A, 40A and 63A available on request

Example :

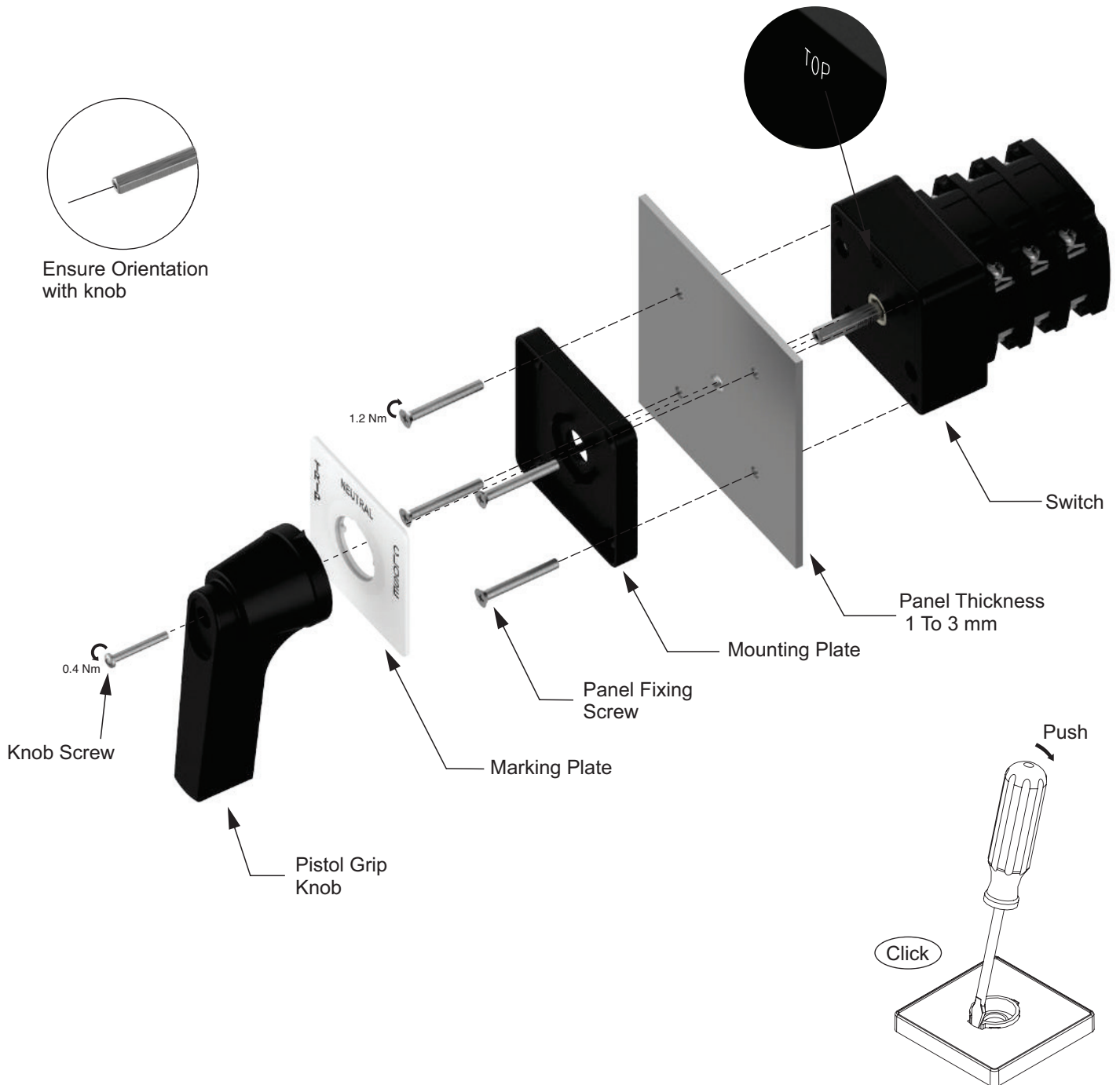
 TSR4 - DS0103MPBG000 - 25 A Spring Return 1NO-1NC No LMD 30D
 Without Lock Pistol Shape Black & Grey

 TSR4 - ES0103TPBG000 - 32 A Spring Return 1NO-1NC No LMD 30D
 With Lock Pistol Shape Black & Gre


**Installation Procedure for Barrel Lock
(Center Ley Lock)**



Installation Procedure for Standard Switch



Contact



Sifam Tinsley Instrumentation Ltd

1 Warner Drive
Springwood Industrial Estate
Braintree
Essex
CM7 2YW

Tel: 01376 335271

Email: sales@sifamtinsley.com

www.sifamtinsley.co.uk