



CST SERIES - CAM SWITCHES

- Complete range of cam switches for control, instrumentation and motor starting applications.
- Available for currents from 6 A to 200 A.
- Quick and easy installation.
- Compact size with many switching programs.
- Multi pole design.
- Long distance visibility.
- Touch-proof terminals with IP20 protection.

TYPES:

CST1 - CHANGEOVER

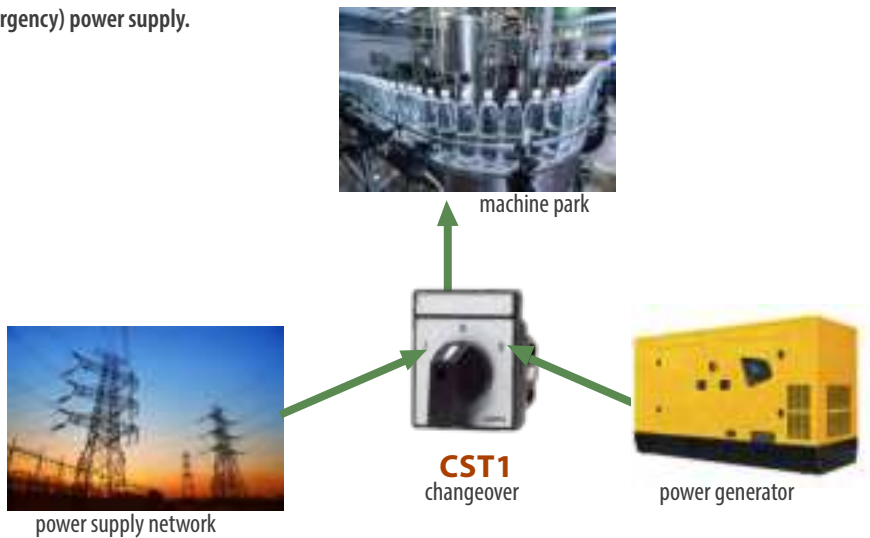
CST2 - MULTI-STEP

CST3 - ISOLATOR

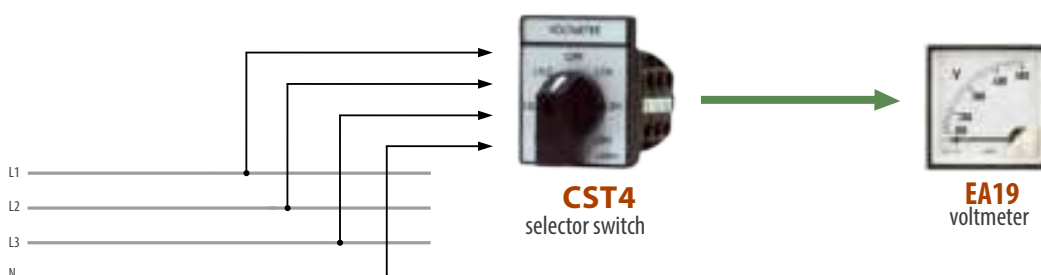
CST4 - SELECTOR

APPLICATION EXAMPLES

Switching on the (emergency) power supply.



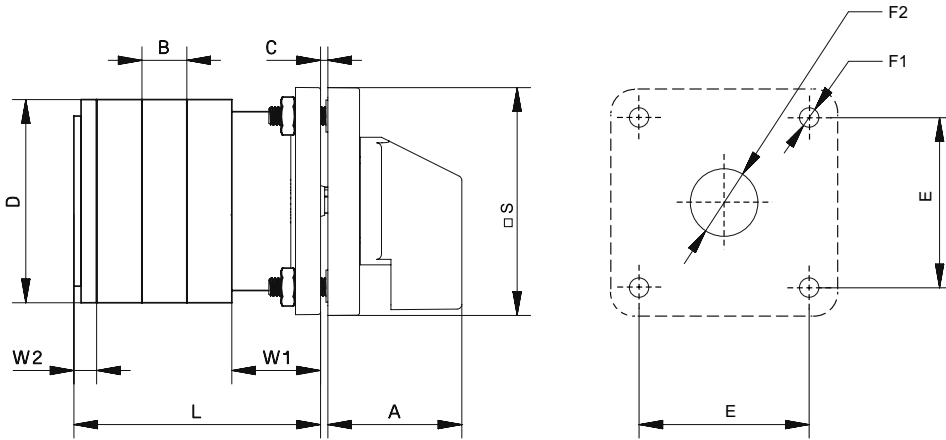
Measurement of phase and phase-to-phase voltage using only one voltmeter.



CST1/CST2/CST3/CST4

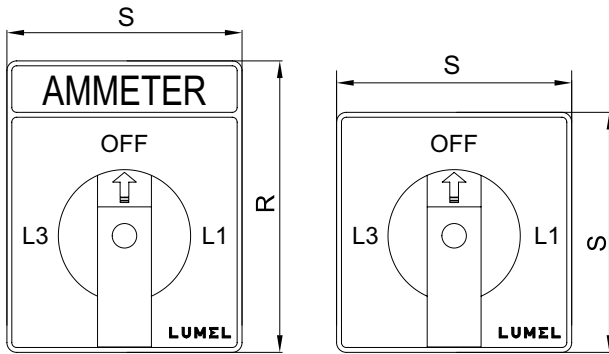
- CAM SWITCHES

EXTERNAL DIMENSIONS



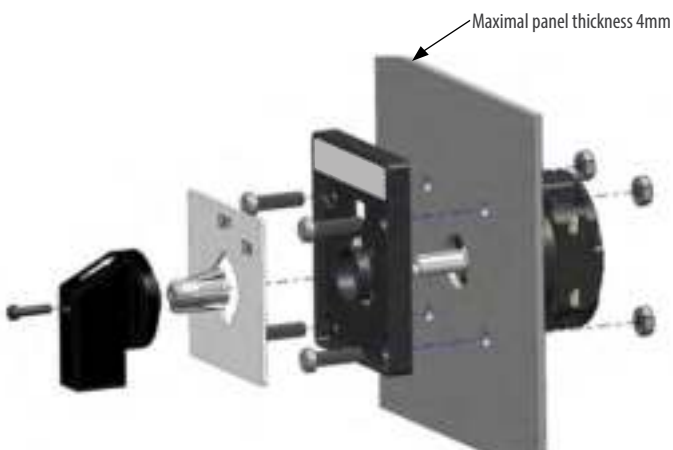
$$L = \text{No. of Stages of Prog} \times B + W1 + W2$$

Drilling plane



Type	A	B	C _(max)	D	E	F1	F2	R	S	W1	W2
6 A	29 mm	9.7 mm	4 mm	32 mm	36 mm	4 mm	8 mm	48 mm	48 mm	13 mm	7 mm
10 A	29 mm	9.5 mm	4 mm	43 mm	36 mm	4 mm	7 mm	60 mm	48 mm	19 mm	5 mm
16 A	29 mm	9.5 mm	4 mm	43 mm	36 mm	4 mm	7 mm	60 mm	48 mm	19 mm	5 mm
20 A	29 mm	9.5 mm	4 mm	43 mm	36 mm	4 mm	7 mm	60 mm	48 mm	19 mm	5 mm
25 A	34 mm	14.3 mm	4 mm	53 mm	48 mm	4 mm	12 mm	64 mm	64 mm	24 mm	6.2 mm
32 A	34 mm	14.3 mm	4 mm	53 mm	48 mm	4 mm	12 mm	64 mm	64 mm	24 mm	6.2 mm
40 A	34 mm	14.3 mm	4 mm	53 mm	48 mm	4 mm	12 mm	64 mm	64 mm	24 mm	6.2 mm
63 A	34 mm	14.3 mm	4 mm	53 mm	48 mm	4 mm	12 mm	64 mm	64 mm	24 mm	6.2 mm
100 A	49 mm	29 mm	4 mm	88 mm	68 mm	5.5 mm	18 mm	88 mm	88 mm	27 mm	7 mm
200 A	49 mm	29 mm	4 mm	88 mm	68 mm	5.5 mm	18 mm	88 mm	88 mm	27 mm	7 mm

INSTALLATION



AC DUTY RATINGS

Class	Application
AC-1	Non-Inductive or slightly inductive loads ($\cos\phi \geq 0,95$); Resistance furnaces
AC-3	Squirrel-cage motors: starting switching off motors during running
AC-15	Control of AC electromagnetic loads
AC-21-A	Switching of resistive loads, including moderate overloads (frequent switching)
AC-23-A	Switching of motor loads or other highly inductive loads (frequent switching)

CST1/CST2/CST3/CST4 - CAM SWITCHES

TECHNICAL DATA

PARAMETERS		UNIT	6 A	10 A	16 A	20 A	25 A	32 A	40 A	63 A	100 A	200 A
Rated operational voltage (Ue)		V	440	440	690	690	690	690	690	690	690	690
Rated insulation voltage (Ui)		V	440	440	690	690	690	690	690	690	690	690
Rated uninterupted current (Ith)		A	8	12	20	25	25	32	40	63	100	200
Rated short time withstand current (Icw)		A	72	120	192*	240*	300	384	480	756	1200	2400
Rated impulse withstand voltage (Uimp)		kV	4	4	4	4	6	6	6	6	6	6
Rated Fuse short circuit current		kA	3	3	5	5	10	10	10	10	15	25
Fuse size (Type gG/ gM)		A	6	10	16	20	25	32	50	63	100	200
The power of the receiver in terms of use												
AC23A 3 phase	220-240V	kW	1.1	1.8	3	3.7	4.7	5.5	7.5	11	22	22
	380-440V	kW	1.8	3	5.5	7.5	7.5	11	15	18.5	37	37
	500V	kW	-	-	5.5	7.5	11	15	18.5	22	45	45
	660-690V	kW	-	-	5.5	7.5	11	15	18.5	22	45	45
AC23A 1 phase	110V	kW	0.25	0.37	0.55	0.75	1.5	2.2	2.2	3	-	-
	220-240V	kW	0.5	0.75	1.5	2.2	3	3.7	5.5	7.5	-	-
	380-440V	kW	0.75	1.1	2.2	3.7	5.5	7.5	7.5	11	-	-
AC3 3 phase	220-240V	kW	1.1	1.5	3	3	4.7	5.5	7.5	11	22	22
	380-440V	kW	1.8	2.2	5.5	5.5	7.5	11	15	18.5	37	37
	500V	kW	-	-	5.5	5.5	11	15	18.5	22	45	45
	600-690V	kW	-	-	5.5	5.5	11	15	18.5	22	45	45
AC3 1 phase	110V	kW	0.25	0.3	0.55	0.6	1.5	2.2	2.2	3	-	-
	220-240V	kW	0.5	0.55	1.5	2.2	3	3.7	5.5	7.5	-	-
	380-440V	kW	0.75	0.75	2.5	3	5.5	7.5	7.5	11	-	-
AC21A/AC1		A	6	10	16	20	25	32	40	63	100	200
AC15	220-240V	A	2	2.5	5	5	8	14	16	16	20	-
	380-440V	A	1	1.5	4	4	5	6	7	7	10	-
Terminal cross-section												
Single / Multiple	Min	mm ²	0.7	0.7	1.5	1.5	2.5	2.5	4	4	10	10
	Max	mm ²	1.5	1.5	4	4	4	6	10	16	35	70
Fine strand with sleeve	Min	mm ²	0.7	0.7	1	1	1.5	1.5	2.5	2.5	10	10
	Max	mm ²	1.5	1.5	2.5	2.5	4	4	6	16	35	50
Terminal screw		metric	M3	M3	M3	M3	M4	M4	M4	M4	M10	M10
Terminal tightening torque		Nm	0.8	0.8	0.8	0.8	1.2	1.2	1.2	1.2	2.5	2.5

* Rated short time withstand current (0.5s- current)

RATED OPERATING CONDITIONS

Frequency	50/60 Hz	
Operating temperature	-25°C...60°C	
Storage temperature	-40°C...80°C	
Installation category	III	
Altitude a.s.l.	2000 m	
Protection grade	IP50 from frontal side	IP20 from terminal side
Standards	IEC 60947-1, IEC 60947-3, IEC 60947-5	

SWITCH LIFE

Mechanical Life	100 000 operations at 300 cycles/hr	
Electrical Life	10 000 operations at 100% rated duty at 120 cycles/hr	
Contacts	double break	type AgNi
	double break	type AgCdO

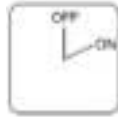
CST3 SERIES

- ISOLATORS

WIRING DIAGRAMS AND CODING

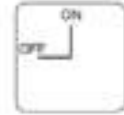
ISOLATORS CST3

Ordering code CST3- 60L_XXOF_ _00



Isolator CST3-		60L	XXOF		00
Rated current:					
6 A	A				
10 A	B				
16 A	C				
25 A	D				
32 A	E				
40 A	F				
63 A	G				
100 A	H				
200 A	I				
Pole:					
1 pole		1			
2 poles		2			
....		...			
9 poles		9			
10 poles	A				
11 poles	B				
12 poles	C				
Front plate colour:					
silver background and black knob				A	
yellow background and red knob				Y	
Acceptance tests:					
without additional quality requirements					0
with an extra quality inspection certificate					1

Ordering code CST3- 90L_XXOF_ _00



Isolator CST3-		90L	XXOF		00
Rated current:					
6 A	A				
10 A	B				
16 A	C				
25 A	D				
32 A	E				
40 A	F				
63 A	G				
100 A	H				
200 A	I				
Pole:					
1 pole		1			
2 poles		2			
....		...			
9 poles		9			
10 poles	A				
11 poles	B				
12 poles	C				
Front plate colour:					
silver background and black knob				A	
yellow background and red knob				Y	
Acceptance tests:					
without additional quality requirements					0
with an extra quality inspection certificate					1

ITEMS AVAILABLE FROM OUR STOCK:

CST3-C60L3XXOFA000

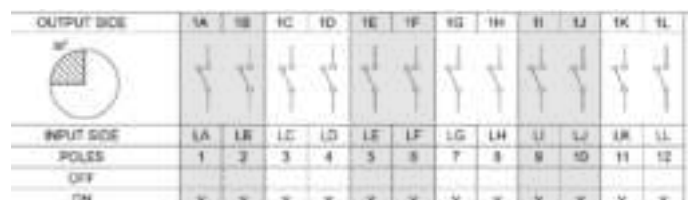
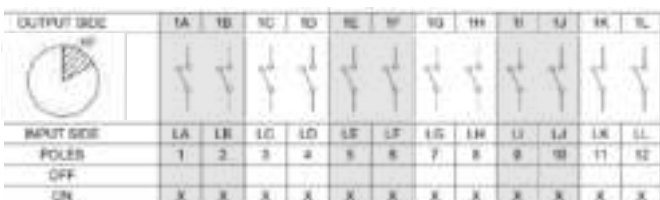
- Isolator 16A, angle 60°, rotation angle <360°, 3 poles, with OFF, rectangular knob, silver background, black knob

CST3-C60L3XXOFY000

- Isolator 16A, angle 60°, rotation angle <360°, 3 poles, with OFF, rectangular knob, yellow background, red knob

Description	Stage number									
	6A	10A	16A	25A	32A	40A	63A	100A	200A	
	1-polar ON-OFF	1	1	1	1	1	1	1	1	1
2-polar ON-OFF	1	1	1	1	1	1	1	1	1	1
3-polar ON-OFF	2	2	2	2	2	2	2	2	2	2
4-polar ON-OFF	2	2	2	2	2	2	2	2	2	2
5-polar ON-OFF	3	3	3	3	3	3	3	3	3	3
6-polar ON-OFF	3	3	3	3	3	3	3	3	3	3

Description	6A	10A	16A	25A	32A	40A	63A	100A	200A
	Stage number								
1-polar ON-OFF	1	1	1	1	1	1	1	1	1
2-polar ON-OFF	1	1	1	1	1	1	1	1	1
3-polar ON-OFF	2	2	2	2	2	2	2	2	2
4-polar ON-OFF	2	2	2	2	2	2	2	2	2
5-polar ON-OFF	3	3	3	3	3	3	3	3	3
6-polar ON-OFF	3	3	3	3	3	3	3	3	3



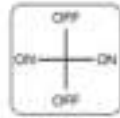
CST3 SERIES

- ISOLATORS

WIRING DIAGRAMS AND CODING

ISOLATORS CST3

Ordering code CST3-90T_XXOF__00



Isolator CST3-		90T	XXOF			00
Rated current:						
6 A	A					
10 A	B					
16 A	C					
25 A	D					
32 A	E					
40 A	F					
63 A	G					
100 A	H					
200 A	I					
Pole:						
1 pole		1				
2 poles		2				
....		...				
9 poles		9				
10 poles		A				
11 poles		B				
12 poles		C				
Front plate colour:						
silver background and black knob					A	
yellow background and red knob					Y	
Acceptance tests:						
without additional quality requirements						0
with an extra quality inspection certificate						1

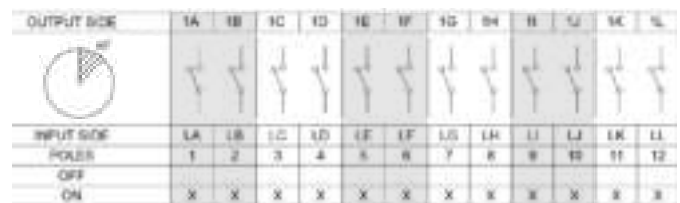
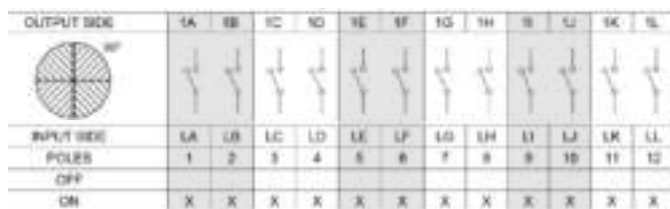
Ordering code CST3-40L_XXOF__00



Isolator CST3-		40L	XXOF			00
Rated current:						
6 A	A					
10 A	B					
16 A	C					
25 A	D					
32 A	E					
40 A	F					
63 A	G					
Pole:						
1 pole			1			
2 poles			2			
....			...			
9 poles			9			
10 poles			A			
11 poles			B			
12 poles			C			
Front plate colour:						
silver background and black knob					A	
yellow background and red knob					Y	
Acceptance tests:						
without additional quality requirements						0
with an extra quality inspection certificate						1

Description	6A		10A		16A		25A		32A		40A		63A		100A		200A	
	Stage number																	
	1	2	3	4	5	6	7	8	9	10	11	12	13	14	15	16	17	18
1-polar ON-OFF	1	1	1	1	1	1	1	1	1	1	1	1	1	1	1	1	1	1
2-polar ON-OFF	1	1	1	1	1	1	1	1	1	1	1	1	1	1	1	1	1	1
3-polar ON-OFF	2	2	2	2	2	2	2	2	2	2	2	2	2	2	2	2	2	2
4-polar ON-OFF	2	2	2	2	2	2	2	2	2	2	2	2	2	2	2	2	2	2
5-polar ON-OFF	3	3	3	3	3	3	3	3	3	3	3	3	3	3	3	3	3	3
6-polar ON-OFF	3	3	3	3	3	3	3	3	3	3	3	3	3	3	3	3	3	3

Description	6A		10A		16A		25A		32A		40A		63A	
	Stage number													
	1	2	3	4	5	6	7	8	9	10	11	12	13	14
1-polar ON-OFF	1	1	1	1	1	1	1	1	1	1	1	1	1	1
2-polar ON-OFF	1	1	1	1	1	1	1	1	1	1	1	1	1	1
3-polar ON-OFF	2	2	2	2	2	2	2	2	2	2	2	2	2	2
4-polar ON-OFF	2	2	2	2	2	2	2	2	2	2	2	2	2	2
5-polar ON-OFF	3	3	3	3	3	3	3	3	3	3	3	3	3	3
6-polar ON-OFF	3	3	3	3	3	3	3	3	3	3	3	3	3	3



CST3 SERIES

- ISOLATORS

WIRING DIAGRAMS AND CODING

ISOLATORS CST3

CODING OF CST3 SERIES

Isolator CST3-		-	-	0	-	-	XX	O	F	-	-	00
Rated current:												
6 A	A											
10 A	B											
16 A	C											
25 A	D											
32 A	E											
40 A	F											
63 A	G											
100 A	H											
200 A	I											
Angle:												
45°	4											
60°	6											
90°	9											
-----												0
Rotation angle:												
360° *	T											
less than 360°	L											
Pole:												
1 pole	1											
2 poles	2											
....	...											
9 poles	9											
10 poles	A											
11 poles	B											
12 poles	C											
-----												XX
-----												O
-----												F
Front plate colour:												
silver background and black knob	A											
yellow background and red knob	Y											
Acceptance tests:												
without additional quality requirements	0											
with an extra quality inspection certificate	1											
Version:												
standard	00											
custom-made**	XX											

* - only for rotation angle 90°

** - only after agreeing with the manufacturer

CST1/CST2/CST3/CST4 SERIES

- CAM SWITCHES

ACCESSORIES - ORDERING

Ordering code	Description	View	Cam switch type
20-042-06-00007	CAM SWITCH KNOB (Black)		CST1,CST2,CST3,CST4
20-042-06-00008	CAM SWITCH KNOB (Red)		CST1,CST2,CST3,CST4
20-042-06-00009	FRONT PLATE CAM SWITCH (Yellow)		CST1,CST2,CST3,CST4
20-042-06-00010	Yellow BLANK PAPER FOR MARKING PLATE		CST1,CST2,CST3,CST4
20-042-06-00011	Yellow BLANK PAPER FOR NAME PLATE		CST1,CST2,CST3,CST4
20-042-06-00012	BLANK NAME PLATE		CST1,CST2,CST3,CST4
20-042-06-00013	BLANK MARKING PLATE		CST1,CST2,CST3,CST4
20-042-06-00016	SCREWS AND NUTS		CST1,CST2,CST3,CST4