



2026

**NEW
BROCHURE**



- Multifunction Meters
- Transducers & Isolators
- Temperature Controllers
- Converters & Recorders
- Digital Panel Meters
- Current Transformers
- kWh Energy Meters
- Analogue Panel Meters
- Shunts
- Digital Bargraphs
- Digital Multimeters
- Protection Relays
- Synchroscope Series
- Rotary Switches
- Power Supplies
- Test & Measurement

XMER MOULDED CASE RANGE - CLASS 0.2S/0.5S

Powered by technology
...driven by service

CONTENTS

Introduction Moulded Case Range XMER - Class 0.2S/0.5S	1
LCTB 62/20	2
LCTB 62/30	2
LCTB - 60/30 (40)	3
LCTB 62/30 (50)	3
LCTB 74/20	4
LCTB 74/30	4
LCTB 74/40	5
LCTB 74/50	5
LCTB 86/40	6
LCTB 86/50	6
LCTB 86/60	7
LCTB 104/60	7
LCTB 104/80	8
LCTB 140/80	8
LCTB 140/100H.....	9
LCTB 140/100V	10
LCTB 100/100V	10
LCBT 100/130V	11
LCBT 140/130V	11
LCTB 225/125	12
LCTB 225/167	12
LCTB 130/100V	13

View our full range online
www.sifamtinsley.co.uk

XMER Moulded Case Range - Class 0.2S/0.5S

XMER - Class 0.2S/0.5S

XMER CT's are square type and encapsulated with UL94V-0 approved polycarbonate. These metering CT's feature sealable terminal covers and a wide range of primary current ratings with a high accuracy class suitable for tariff metering applications. Available in various, Bus bar sizes, case widths, and mounting options.



Specifications

- Primary current 400A-4000A
- Primary current 80A to 7500A
- Secondary current 1A or 5A
- Accuracy class 0.2S/0.5S
- Over current limiting factor FS5, FS10, FS15
- Rated frequency 50Hz or 60Hz
- Rated continuous thermal current (standard) 1,2 x in
- Rated short time thermal current with 60 x in, 1 s (Max 40kA)
- Rated isolation level 0.72/3 kV or 0.72/4 kV
- Place of insulation Indoor
- Altitude up to 2000 m
- Degree of protection IP20
- Degree of pollution 2
- Ambient temperature -5°C to + 55°C (0-95% relative humidity, non condensing!)
- Storage temperature -25°C to + 70°C
- Applied standards IEC 60044-1 / IEC 61869-1 : Performance, IEC - 61010 - 2 : Safety.



Features

- Comprehensive class accuracy
- Cost effective moulded case current transformer
- Various mounting options including wall mounting, cable mounting, bus bar mounting and DIN rail mounting
- 0.2S/0.5S accuracy class
- Wire sealable terminal covers
- Suitable for tariff metering

OMEGA XMER

Technical Information (Ref: IEC 61869-2)

Limits of Current Errors and Phase Displacements for Measuring Current Transformers (for Special Applications)															
Accuracy Class	± Percentage Current (ratio) Error at Percentage of Rated Current shown below					± Phase Displacements at Percentage of Rated Current									
						Minutes					Centiradians				
	1	5	20	100	120	1	5	20	100	120	1	5	20	100	120
0.2S	0.75	0.35	0.20	0.20	0.20	30	15	10	10	10	0.90	0.45	0.30	0.30	0.30
0.5S	1.50	0.75	0.50	0.50	0.50	90	45	30	30	30	2.70	1.35	0.90	0.90	0.90

Features given vary from product to product -for more detailed product specific info please visit our website www.sifamtinsley.co.uk

LCTB - 62/20



LCTB 62/20 (62mm Wide x 40mm deep x (20.5x20.5mm) I.D.)

Cat No.	Ratio	VA at CL 0.2S
XM10-185034S000000	100/5A	1.5VA
XM10-205034S000000	125/5A	1.5VA
XM10-225044S000000	150/5A	2.0VA
XM10-245074S000000	200/5A	3.75VA

Cat No.	Ratio	VA at CL 0.2S
XM10-275074S000000	250/5A	3.75VA
XM10-285074S000000	300/5A	3.75VA
XM10-315084S000000	400/5A	5VA

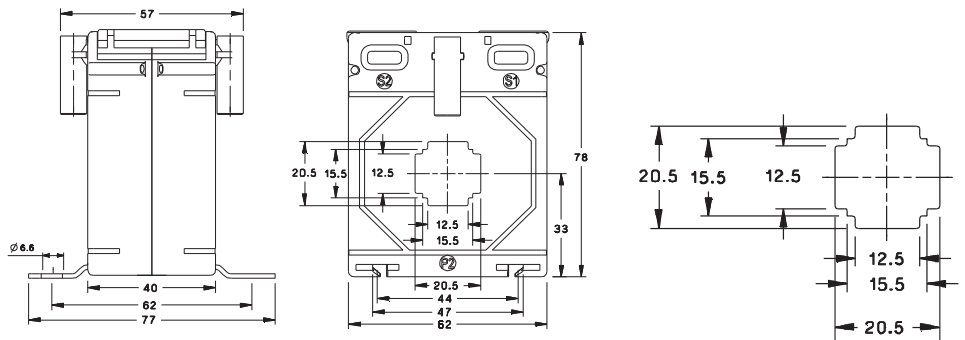
Primary Ratios available from 100A to 400A

Cat No.	Ratio	VA at CL 0.5S
XM10-185036S000000	100/5A	1.5VA
XM10-205036S000000	125/5A	1.5VA
XM10-225046S000000	150/5A	2.0VA
XM10-245076S000000	200/5A	3.75VA
XM10-275076S000000	250/5A	3.75VA

Cat No.	Ratio	VA at CL 0.5S
XM10-285076S000000	300/5A	3.75VA
XM10-315086S000000	400/5A	5VA
XM10-325086S000000	500/5A	5VA

Primary Ratios available from 100A to 400A

Dimensions



LCTB - 62/30



LCTB 62/30 (62mm Wide x 40mm deep x (30 x 11mm) I.D.)

Cat No.	Ratio	VA at CL 0.2S
XM11-185014S000000	100/5A	1VA
XM11-205014S000000	125/5A	1VA
XM11-225034S000000	150/5A	1.5VA
XM11-245054S000000	200/5A	2.5VA
XM11-275054S000000	250/5A	2.5VA

Cat No.	Ratio	VA at CL 0.2S
XM11-285054S000000	300/5A	2.5VA
XM11-315074S000000	400/5A	3.75VA
XM11-325084S000000	500/5A	5VA
XM11-335084S000000	600/5A	5VA

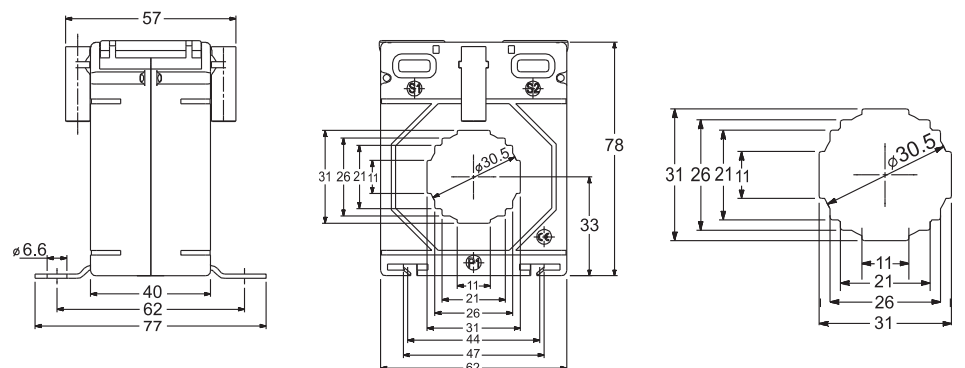
Primary Ratios available from 100A to 800A

Cat No.	Ratio	VA at CL 0.5S
XM11-185016S000000	100/5A	1VA
XM11-205016S000000	125/5A	1VA
XM11-225056S000000	150/5A	2.5VA
XM11-245086S000000	200/5A	5VA
XM11-275086S000000	250/5A	5VA

Cat No.	Ratio	VA at CL 0.5S
XM11-285086S000000	300/5A	5VA
XM11-315086S000000	400/5A	5VA
XM11-325086S000000	500/5A	5VA
XM11-335106S000000	600/5A	7.5VA

Primary Ratios available from 100A to 800A

Dimensions



Features given vary from product to product -for more detailed product specific info please visit our website www.sifamtinsley.co.uk

LCTB - 60/30 (40)

(60mm wide x 40mm deep x height 78mm, 30.5mm I.D.)

Cat No.	Ratio	VA at CL 0.2S
XM28-185014S00000G	100/5A	1VA
XM28-205014S00000G	125/5A	1VA
XM28-225194S00000G	150/5A	1.75VA
XM28-245074S00000G	200/5A	3.75VA
XM28-275084S00000G	250/5A	5VA

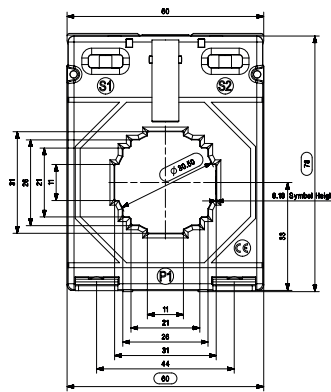
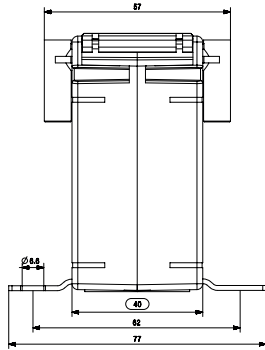
Cat No.	Ratio	VA at CL 0.5S
XM28-185016S00000G	100/5A	1VA
XM28-205016S00000G	125/5A	1VA
XM28-225196S00000G	150/5A	1.75VA
XM28-245076S00000G	200/5A	3.75VA
XM28-275086S00000G	250/5A	5VA

Cat No.	Ratio	VA at CL 0.2S
XM28-285084S00000G	300/5A	5VA
XM28-315084S00000G	400/5A	5VA
XM28-325084S00000G	500/5A	5VA
XM28-335114S00000G	600/5A	10VA
XM28-365114S00000G	750/5A	10VA

Cat No.	Ratio	VA at CL 0.5S
XM28-285086S00000G	300/5A	5VA
XM28-315086S00000G	400/5A	5VA
XM28-325086S00000G	500/5A	5VA
XM28-335116S00000G	600/5A	10VA
XM28-365116S00000G	750/5A	10VA

Primary Ratios available from 100A to 750A

Dimensions



LCTB 62/30 (50) (62mm wide x 50mm deep x (30 x 11mm) I.D.)

Cat No.	Ratio	VA at CL 0.2S
XM12-185034S000000	100/5A	1.25VA
XM12-205034S000000	125/5A	1.25VA
XM12-225044S000000	150/5A	2VA
XM12-245064S000000	200/5A	3VA
XM12-275064S000000	250/5A	3VA
XM12-285064S000000	300/5A	3VA

Cat No.	Ratio	VA at CL 0.5S
XM12-185026S000000	100/5A	1.25VA
XM12-205026S000000	125/5A	1.25VA
XM12-225086S000000	150/5A	5VA
XM12-245116S000000	200/5A	10VA
XM12-275116S000000	250/5A	10VA
XM12-285136S000000	300/5A	15VA

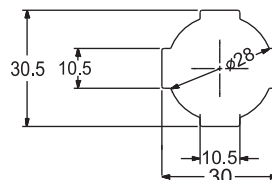
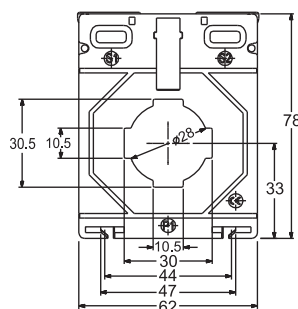
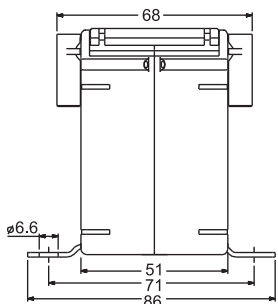
Cat No.	Ratio	VA at CL 0.2S
XM12-315084S000000	400/5A	5VA
XM12-325084S000000	500/5A	5VA
XM12-335094S000000	600/5A	6.25VA
XM12-365094S000000	750/5A	6.25VA
XM12-375094S000000	800/5A	6.25VA

Primary Ratios available from 100A to 800A

Cat No.	Ratio	VA at CL 0.5S
XM12-315136S000000	400/5A	15VA
XM12-325136S000000	500/5A	15VA
XM12-335136S000000	600/5A	15VA
XM12-365136S000000	750/5A	15VA
XM12-375136S000000	800/5A	15VA

Primary Ratios available from 100A to 800A

Dimensions



LCTB - 60/30 (40)



LCTB 62/30 (50)



LCTB 74/40 (74mm wide x 45mm deep x (41x41mm) I.D.)

Cat No.	Ratio	VA at CL 0.2S
XM16-245054S000000	200/5A	2.5VA
XM16-275054S000000	250/5A	2.5VA
XM16-285054S000000	300/5A	2.5VA
XM16-315084S000000	400/5A	5VA
XM16-325084S000000	500/5A	5VA

Cat No.	Ratio	VA at CL 0.2S
XM16-335084S000000	600/5A	5VA
XM16-365084S000000	750/5A	5VA
XM16-375104S000000	800/5A	7.5VA
XM16-395114S000000	1000/5A	10VA

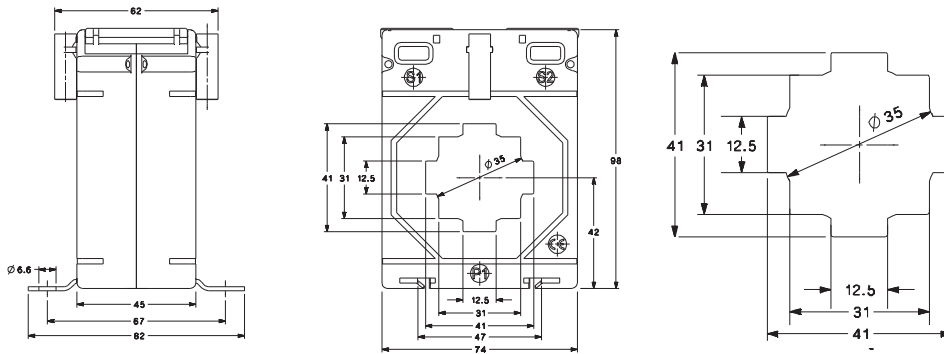
Primary Ratios available from 200A to 1000A

Cat No.	Ratio	VA at CL 0.5S
XM16-185016S000000	100/5A	1VA
XM16-205016S000000	125/5A	1VA
XM16-225036S000000	150/5A	1.5VA
XM16-245056S000000	200/5A	2.5VA
XM16-275086S000000	250/5A	5VA
XM16-285056S000000	300/5A	5VA

Cat No.	Ratio	VA at CL 0.5S
XM16-315086S000000	400/5A	5VA
XM16-325086S000000	500/5A	5VA
XM16-335086S000000	600/5A	5VA
XM16-365106S000000	750/5A	7.5VA
XM16-375116S000000	800/5A	10VA
XM16-395116S000000	1000/5A	10VA

Primary Ratios available from 100A to 1000A

Dimensions



LCTB 74/40



LCTB 74/50 (74mm wide x 45mm deep x (50 x 12mm) I.D.)

Cat No.	Ratio	VA at CL 0.2S
XM17-275034S000000	250/5A	1.5VA
XM17-285034S000000	300/5A	1.5VA
XM17-315054S000000	400/5A	2.5VA
XM17-325084S000000	500/5A	5VA
XM17-335084S000000	600/5A	5VA

Cat No.	Ratio	VA at CL 0.2S
XM17-365084S000000	750/5A	5VA
XM17-375084S000000	800/5A	5VA
XM17-395084S000000	1000/5A	5VA

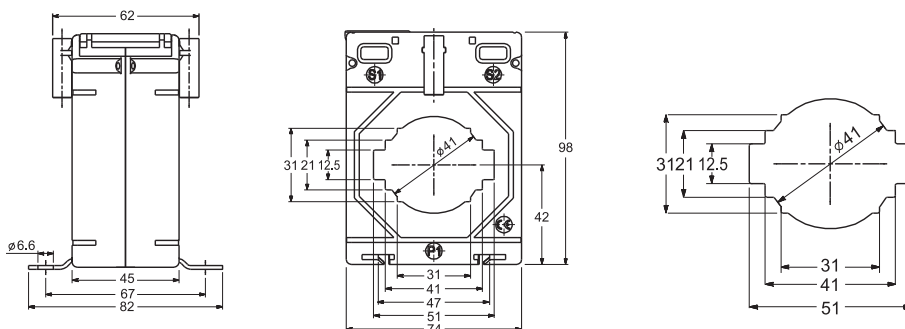
Primary Ratios available from 250A to 1000A

Cat No.	Ratio	VA at CL 0.5S
XM17-275036S000000	250/5A	1.5VA
XM17-285056S000000	300/5A	2.5VA
XM17-315056S000000	400/5A	2.5VA
XM17-325086S000000	500/5A	5VA

Cat No.	Ratio	VA at CL 0.5S
XM17-335086S000000	600/5A	5VA
XM17-365106S000000	750/5A	7.5VA
XM17-375116S000000	800/5A	10VA
XM17-395136S000000	1000/5A	15VA

Primary Ratios available from 250A to 1000A

Dimensions



LCTB 74/50



LCTB 86/40



LCTB 86/40 (86mm wide x 45mm deep x (41 x 41mm) I.D.)

Cat No.	Ratio	VA at CL 0.2S
XM18-185034S000000	100/5A	1.5VA
XM18-205034S000000	125/5A	1.5VA
XM18-225054S000000	150/5A	2.5VA
XM18-245054S000000	200/5A	2.5VA
XM18-275074S000000	250/5A	3.75VA
XM18-285074S000000	300/5A	3.75VA
XM18-315074S000000	400/5A	3.75VA

Cat No.	Ratio	VA at CL 0.2S
XM18-325084S000000	500/5A	5VA
XM18-335104S000000	600/5A	7.5VA
XM18-365104S000000	750/5A	7.5VA
XM18-375114S000000	800/5A	10VA
XM18-395114S000000	1000/5A	10VA

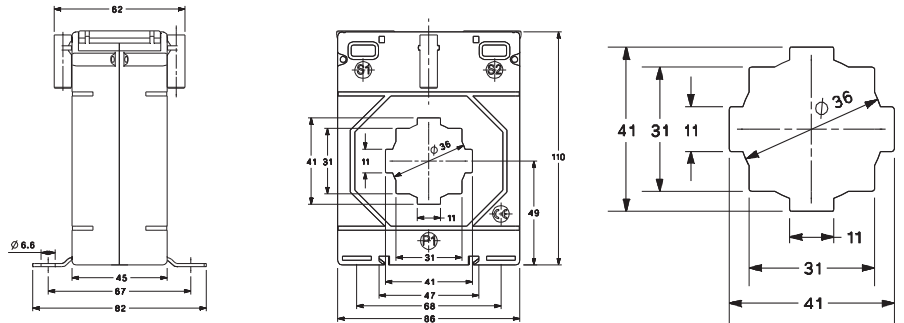
Primary Ratios available from 100A to 1000A

Cat No.	Ratio	VA at CL 0.5S
XM18-185036S000000	100/5A	1.5VA
XM18-205036S000000	125/5A	1.5VA
XM18-225056S000000	150/5A	2.5VA
XM18-245086S000000	200/5A	5VA
XM18-275086S000000	250/5A	5VA
XM18-285086S000000	300/5A	5VA

Cat No.	Ratio	VA at CL 0.5S
XM18-315086S000000	400/5A	5VA
XM18-325086S000000	500/5A	5VA
XM18-335106S000000	600/5A	7.5VA
XM18-365106S000000	750/5A	7.5VA
XM18-375116S000000	800/5A	10VA
XM18-395116S000000	1000/5A	10VA

Primary Ratios available from 100A to 1000A

Dimensions



LCTB 86/50



LCTB 86/50 (86mm wide x 45mm deep x (51 x 51mm) I.D.)

Cat No.	Ratio	VA at CL 0.2S
XM19-285034S000000	300/5A	1.5VA
XM19-315054S000000	400/5A	2.5VA
XM19-325054S000000	500/5A	2.5VA
XM19-335084S000000	600/5A	5VA
XM19-365104S000000	750/5A	7.5VA

Cat No.	Ratio	VA at CL 0.2S
XM19-375114S000000	800/5A	10VA
XM19-395124S000000	1000/5A	12.5VA
XM19-405124S000000	1200/5A	12.5VA
XM19-415124S000000	1250/5A	12.5VA

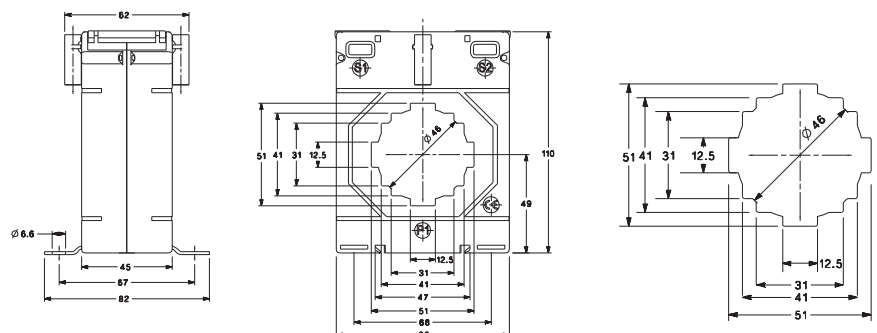
Primary Ratios available from 200A to 1250A

Cat No.	Ratio	VA at CL 0.5S
XM19-245056S000000	200/5A	2.5VA
XM19-275056S000000	250/5A	2.5VA
XM19-285086S000000	300/5A	5VA
XM19-315106S000000	400/5A	7.5VA
XM19-325106S000000	500/5A	7.5VA
XM19-335106S000000	600/5A	7.5VA

Cat No.	Ratio	VA at CL 0.5S
XM19-365106S000000	750/5A	7.5VA
XM19-375116S000000	800/5A	10VA
XM19-395136S000000	1000/5A	15VA
XM19-405136S000000	1200/5A	15VA
XM19-415136S000000	1250/5A	15VA

Primary Ratios available from 200A to 1250A

Dimensions



Features given vary from product to product -for more detailed product specific info please visit our website www.sifamtinsley.co.uk

LCTB 86/60 (86mm wide x 45mm deep x (61 x 51mm) I.D.)

Cat No.	Ratio	VA at CL 0.2S
XM20-285034S000000	300/5A	1.5VA
XM20-315054S000000	400/5A	2.5VA
XM20-325054S000000	500/5A	2.5VA
XM20-335084S000000	600/5A	5VA
XM20-365084S000000	750/5A	5VA
XM20-375104S000000	800/5A	7.5VA

Cat No.	Ratio	VA at CL 0.2S
XM20-395114S000000	1000/5A	10VA
XM20-405114S000000	1200/5A	10VA
XM20-415114S000000	1250/5A	10VA
XM20-425114S000000	1500/5A	10VA
XM20-435114S000000	1600/5A	10VA

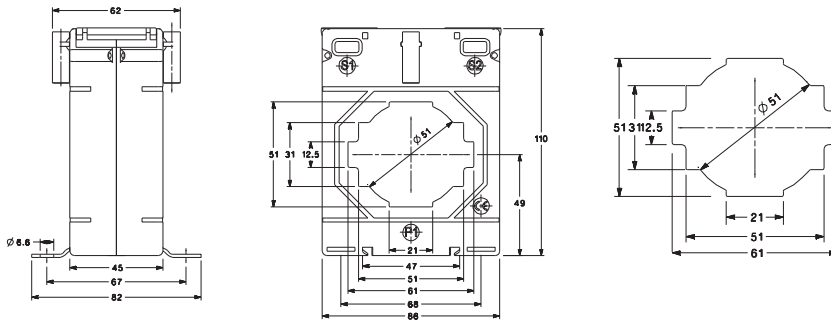
Primary Ratios available from 300A to 1600A

Cat No.	Ratio	VA at CL 0.5S
XM20-285056S000000	300/5A	2.5VA
XM20-315076S000000	400/5A	3.75VA
XM20-325086S000000	500/5A	5VA
XM20-335106S000000	600/5A	7.5VA
XM20-365106S000000	750/5A	7.5VA
XM20-375106S000000	800/5A	7.5VA

Cat No.	Ratio	VA at CL 0.5S
XM20-395136S000000	1000/5A	15VA
XM20-405136S000000	1200/5A	15VA
XM20-415136S000000	1250/5A	15VA
XM20-425136S000000	1500/5A	15VA
XM20-435136S000000	1600/5A	15VA

Primary Ratios available from 300A to 1600A

Dimensions



LCTB 86/60



LCTB 104/60 (104mm wide x 45mm deep x (60 x 12mm) I.D.)

Cat No.	Ratio	VA at CL 0.2S
XM21-285034S000000	300/5A	1.5VA
XM21-315054S000000	400/5A	2.5VA
XM21-325074S000000	500/5A	3.75VA
XM21-335084S000000	600/5A	5VA
XM21-365084S000000	750/5A	5VA
XM21-375104S000000	800/5A	7.5VA

Cat No.	Ratio	VA at CL 0.2S
XM21-395114S000000	1000/5A	10VA
XM21-405114S000000	1200/5A	10VA
XM21-415114S000000	1250/5A	10VA
XM21-425114S000000	1500/5A	10VA
XM21-365114S000000	1600/5A	10VA

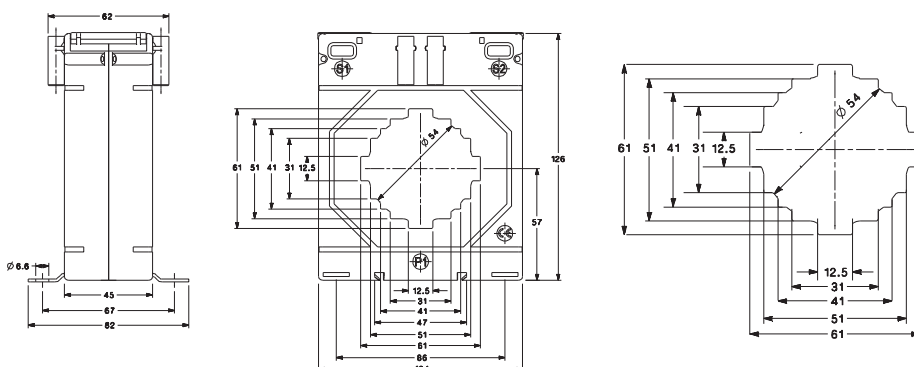
Primary Ratios available from 300A to 1600A

Cat No.	Ratio	VA at CL 0.5S
XM21-285036S000000	300/5A	1.5VA
XM21-315056S000000	400/5A	2.5VA
XM21-325106S000000	500/5A	7.5VA
XM21-335136S000000	600/5A	15VA
XM21-365136S000000	750/5A	15VA
XM21-375136S000000	800/5A	15VA

Cat No.	Ratio	VA at CL 0.5S
XM21-395136S000000	1000/5A	15VA
XM21-405136S000000	1200/5A	15VA
XM21-415136S000000	1250/5A	15VA
XM21-425136S000000	1500/5A	15VA
XM21-365136S000000	1600/5A	15VA

Primary Ratios available from 300A to 1600A

Dimensions



LCTB 104/60



LCTB 140/100H (140mm wide x 45mm deep x (100 x 30mm) I.D.)

Cat No.	Ratio	VA at CL 0.2S
XM24-335054S000000	600/5A	2.5VA
XM24-365084S000000	750/5A	5VA
XM24-375084S000000	800/5A	5VA
XM24-395084S000000	1000/5A	5VA
XM24-405114S000000	1200/5A	10VA
XM24-415114S000000	1250/5A	10VA
XM24-425134S000000	1500/5A	15VA

Cat No.	Ratio	VA at CL 0.2S
XM24-435134S000000	1600/5A	15VA
XM24-445134S000000	2000/5A	15VA
XM24-466134S000000	2500/5A	15VA
XM24-485134S000000	3000/5A	15VA
XM24-515134S000000	4000/5A	15VA

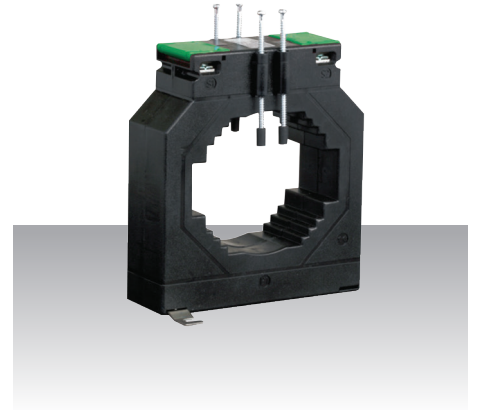
Primary Ratios available from 600A to 4000A

Cat No.	Ratio	VA at CL 0.5S
XM24-325076S000000	500/5A	3.75VA
XM24-335086S000000	600/5A	5VA
XM24-365086S000000	750/5A	5VA
XM24-375086S000000	800/5A	5VA
XM24-395116S000000	1000/5A	10VA
XM24-405136S000000	1200/5A	15VA
XM24-415136S000000	1250/5A	15VA

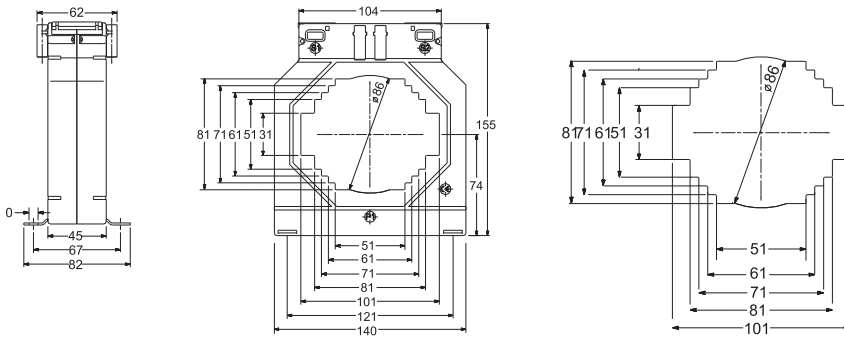
Cat No.	Ratio	VA at CL 0.5S
XM24-425136S000000	1500/5A	15VA
XM24-435136S000000	1600/5A	15VA
XM24-445136S000000	2000/5A	15VA
XM24-466136S000000	2500/5A	15VA
XM24-485136S000000	3000/5A	15VA
XM24-515136S000000	4000/5A	15VA

Primary Ratios available from 500A to 4000A

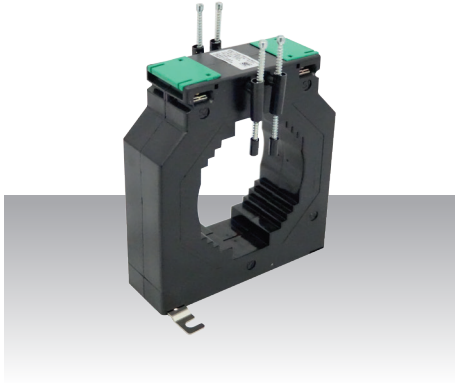
LCTB 140/100H



Dimensions



LCTB 140/100V



LCTB 140/100V (140mm wide x 45mm deep x (81 x 101mm) I.D.)

Cat No.	Ratio	VA at CL 0.2S
XM25-335054S000000	600/5A	2.5VA
XM25-365084S000000	750/5A	5VA
XM25-375084S000000	800/5A	5VA
XM25-395084S000000	1000/5A	5VA
XM25-405114S000000	1200/5A	10VA
XM25-415114S000000	1250/5A	10VA

Cat No.	Ratio	VA at CL 0.2S
XM25-425134S000000	1500/5A	15VA
XM25-435134S000000	1600/5A	15VA
XM25-445134S000000	2000/5A	15VA
XM25-466134S000000	2500/5A	15VA
XM25-485134S000000	3000/5A	15VA

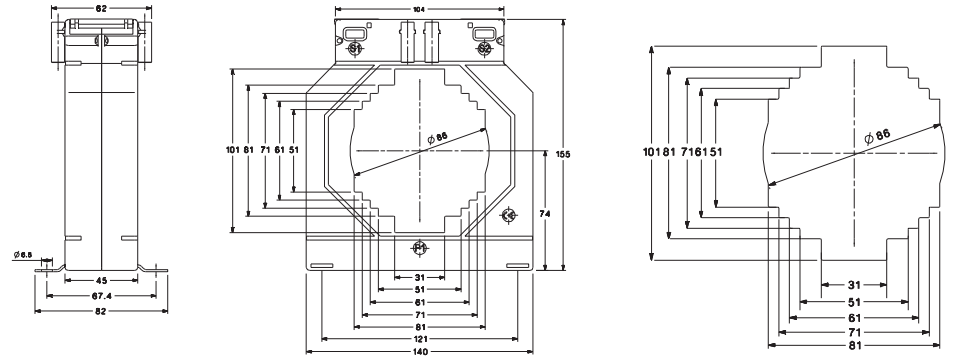
Primary Ratios available from 200A to 3000A

Cat No.	Ratio	VA at CL 0.5S
XM25-335086S000000	600/5A	5VA
XM25-365086S000000	750/5A	5VA
XM25-375086S000000	800/5A	5VA
XM25-395116S000000	1000/5A	10VA
XM25-405136S000000	1200/5A	15VA
M25-415136S000000	1250/5A	15VA

Cat No.	Ratio	VA at CL 0.5S
XM25-425136S000000	1500/5A	15VA
XM25-435136S000000	1600/5A	15VA
XM25-445136S000000	2000/5A	15VA
XM25-466136S000000	2500/5A	20VA
XM25-485136S000000	3000/5A	20VA

Primary Ratios available from 600A to 3000A

Dimensions



LCTB 100/100V



LCTB 100/100V (140mm wide x 45mm deep x (41 x 103mm) I.D.)

Cat No.	Ratio	VA at CL 0.2S
XR01-405084S000000	1200/5A	5VA
XR01-415084S000000	1250/5A	5VA
XR01-425084S000000	1500/5A	5VA
XR01-435104S000000	1600/5A	7.5VA

Cat No.	Ratio	VA at CL 0.2S
XR01-445104S000000	2000/5A	7.5VA
XR01-466114S000000	2500/5A	10VA
XR01-465114S000000	2500/5A	10VA

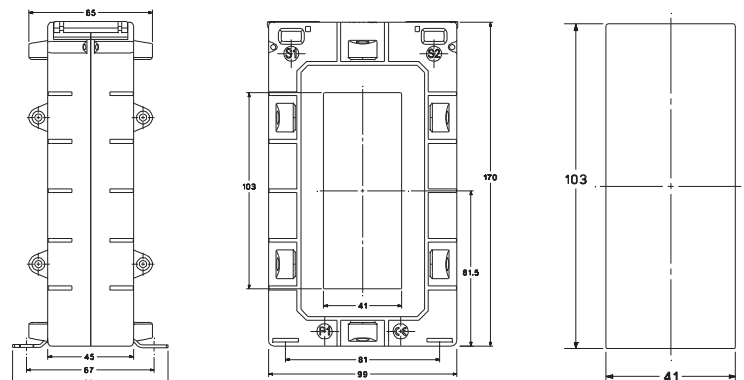
Primary Ratios available from 1200A to 2500A

Cat No.	Ratio	VA at CL 0.5S
XR01-405086S000000	1200/5A	5VA
XR01-415086S000000	1250/5A	5VA
XR01-425086S000000	1500/5A	5VA

Cat No.	Ratio	VA at CL 0.5S
XR01-435106S000000	1600/5A	7.5VA
XR01-445106S000000	2000/5A	7.5VA
XR01-465116S000000	500/5A	10VA

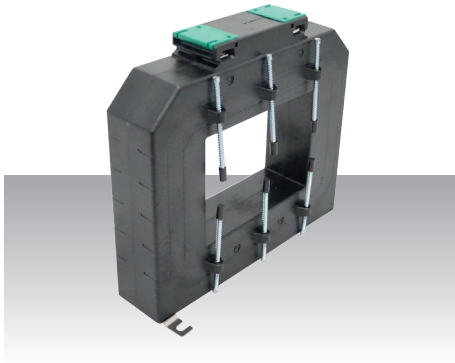
Primary Ratios available from 1200A to 2500A

Dimensions



Features given vary from product to product -for more detailed product specific info please visit our website www.sifamtinsley.co.uk

LCTB 225/125



LCTB 225/125 (225mm wide x 50mm deep x (125mm x 93mm) I.D.)

Cat No.	Ratio	VA at CL 0.2S
XR04-395084S000000	1000/5A	5VA
XR04-405084S000000	1200/5A	5VA
XR04-415084S000000	1250/5A	5VA
XR04-425104S000000	1500/5A	7.5VA
XR04-435104S000000	1600/5A	7.5VA
XR04-445114S000000	2000/5A	10VA

Cat No.	Ratio	VA at CL 0.2S
XR04-465114S000000	2500/5A	10VA
XR04-485114S000000	3000/5A	10VA
XR04-515134S000000	4000/5A	15VA
XR04-525134S000000	5000/5A	15VA
XR04-535134S000000	6000/5A	15VA

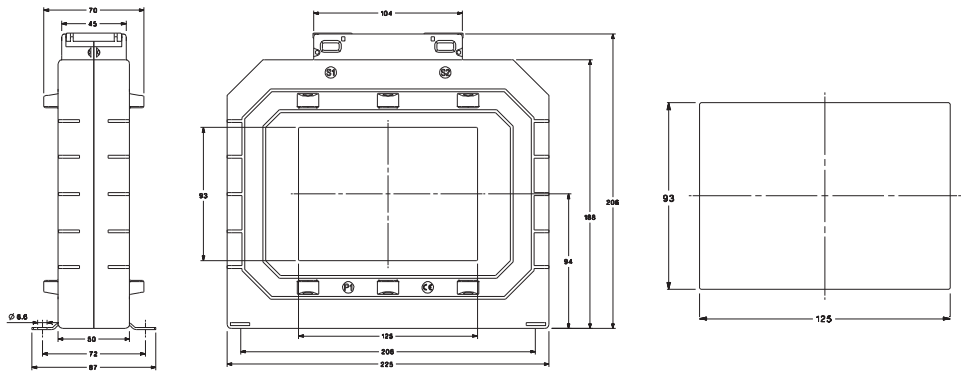
Primary Ratios available from 1000A to 6000A

Cat No.	Ratio	VA at CL 0.5S
XR04-395086S000000	1000/5A	5VA
XR04-405086S000000	1200/5A	5VA
XR04-415086S000000	1250/5A	5VA
XR04-425106S000000	1500/5A	7.5VA
XR04-435106S000000	1600/5A	7.5VA
XR04-445116S000000	2000/5A	10VA

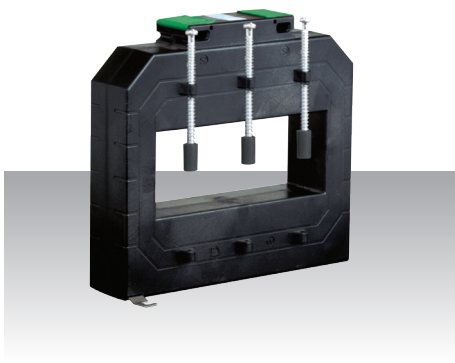
Cat No.	Ratio	VA at CL 0.5S
XR04-465116S000000	2500/5A	10VA
XR04-485116S000000	3000/5A	10VA
XR04-515136S000000	4000/5A	15VA
XR04-525136S000000	5000/5A	15VA
XR04-535136S000000	6000/5A	15VA

Primary Ratios available from 1000A to 6000A

Dimensions



LCTB 225/167



LCTB 225/167 (225mm wide x 50mm deep x (167mm x 66mm) I.D.)

Cat No.	Ratio	VA at CL 0.2S
XR05-425084S000000	1500/5A	5VA
XR05-435084S000000	1600/5A	5VA
XR05-445104S000000	2000/5A	7.5VA
XR05-465114S000000	2500/5A	10VA
XR05-485114S000000	3000/5A	10VA

Cat No.	Ratio	VA at CL 0.2S
XXR05-515114S000000	4000/5A	10VA
XR05-525134S000000	5000/5A	15VA
XR05-535134S000000	6000/5A	15VA
XR05-545134S000000	7500/5A	15VA

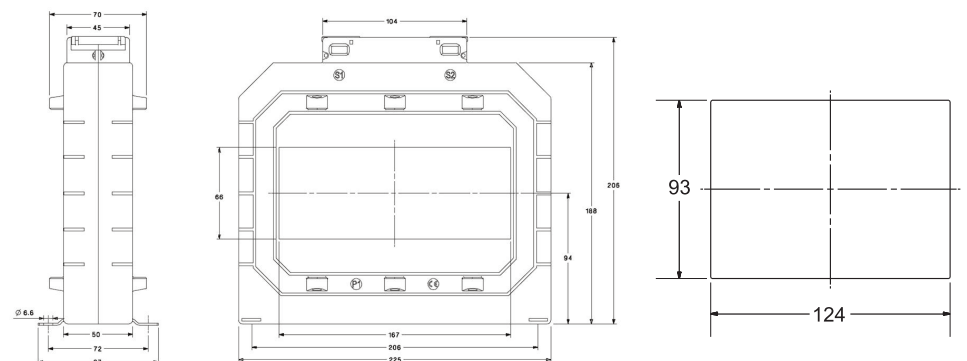
Primary Ratios available from 1500A to 7500A

Cat No.	Ratio	VA at CL 0.5S
XR05-425086S000000	1500/5A	5VA
XR05-435086S000000	1600/5A	5VA
XR05-445106S000000	2000/5A	7.5VA
XR05-465116S000000	2500/5A	10VA
XR05-485116S000000	3000/5A	10VA

Cat No.	Ratio	VA at CL 0.5S
XR05-515116S000000	4000/5A	10VA
XR05-525136S000000	5000/5A	15VA
XR05-535136S000000	6000/5A	15VA
XR05-545136S000000	500/5A	15VA

Primary Ratios available from 1500A to 7500A

Dimensions



Features given vary from product to product -for more detailed product specific info please visit our website www.sifamtinsley.co.uk

LCTB 130/100V (140mm wide x 45mm deep x (101 x 56mm) I.D.)

Cat No.	Ratio	VA at CL 0.2S
XR06-335054S000000	600/5A	2.5VA
XR06-365084S000000	750/5A	5VA
XR06-375114S000000	800/5A	10VA
XR06-395114S000000	1000/5A	10VA
XR06-405114S000000	1200/5A	10VA
XR06-415114S000000	1250/5A	10VA

Cat No.	Ratio	VA at CL 0.2S
XR06-425114S000000	1500/5A	10VA
XR06-435114S000000	1600/5A	10VA
XR06-445114S000000	2000/5A	10VA
XR06-465114S000000	2500/5A	10VA
XR06-485124S000000	3000/5A	12.5VA

Primary Ratios available from 600A to 3000A

Cat No.	Ratio	VA at CL 0.5S
XR06-335056S000000	600/5A	2.5VA
XR06-365086S000000	750/5A	5VA
XR06-375116S000000	800/5A	10VA
XR06-395116S000000	1000/5A	10VA
XR06-405116S000000	1200/5A	10VA
XR06-415116S000000	1250/5A	10VA

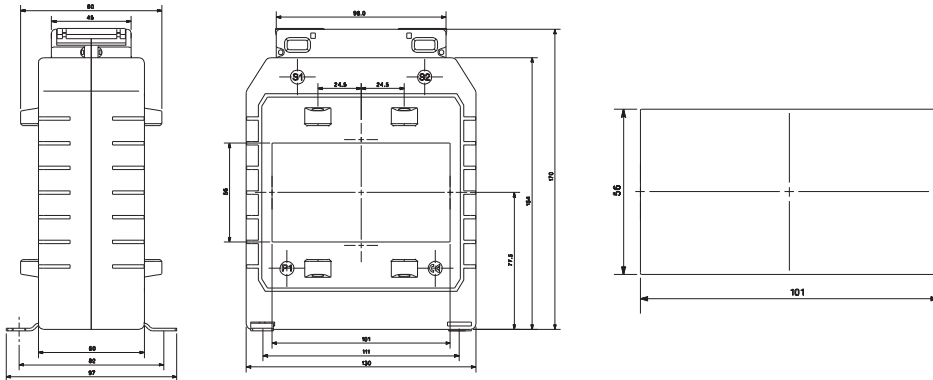
Cat No.	Ratio	VA at CL 0.5S
XR06-425116S000000	1500/5A	10VA
XR06-435116S000000	1600/5A	10VA
XR06-445116S000000	2000/5A	10VA
XR06-465116S000000	2500/5A	10VA
XR06-485126S000000	3000/5A	12.5VA

Primary Ratios available from 600A to 3000A

LCTB 130/100V



Dimensions



Powered by technology
...driven by service

Multifunction Meters
Transducers & Isolators
Temperature Controllers
Converters & Recorders
Digital Panel Meters
Current Transformers
kWh Energy Meters
Analogue Panel Meters
Shunts
Digital Bargraphs
Digital Multimeters
Protection Relays
Synchroscope Series
Rotary Switches
Power Supplies
Test & Measurement



Sifam Tinsley Instrumentation Ltd

1 Warner Drive
Springwood Industrial Estate
Braintree, Essex
CM7 2YW

Tel: 01376 335271
E-mail: sales@sifamtinsley.co.uk

www.sifamtinsley.co.uk