

CURRENT TRANSFORMERS WITH 4/20mA OR 0..5/10V SIGNAL OUTPUT

for the measurement of AC current

LCTR 44/21

Offering a reliable, efficient, and robust current transformer for measurement of AC current it provides outputs of 4/20mA, 0/5V or 0/10V. Measurement for low current applications of 10A to 150Amps AC into a standard DC output signal.



OMEGA XMER FEATURES

- Wire sealable terminal covers
- Cost effective solution
- Base mounting
- Loop and self-powered models
- Customer selectable 5V or 10V DC output
- Compact model size
- High accuracy: Class 0.5 all models

SPECIFICATIONS

- Primary current 10A to 150A
- Secondary output 4/20mA, 0/5V or 0/10V (user selectable) by part number
0..5V/10V (self-powered) 100k ohms minimum load
4/20mA DC (15-30V DC loop-powered 24V nominal, maximum load 600ohms@24V DC)
- Accuracy class 0.5
- Response time 200msec
- Rated frequency 50Hz or 60Hz
- Rated continuous thermal current (standard) 1, 2 x in
- Rated isolation level 0.72/4 kV
- Altitude up to 2000m
- Degree of protection IP20
- Degree of pollution 2
- Ambient temperature -5°C to + 55°C (0-95% relative humidity, non-condensing)
- Storage temperature -25°C to + 70°C
- Applied standards IEC 60688 : Performance, IEC - 61010 - 2 : Safety.

Call us now for more information: 01376 335271

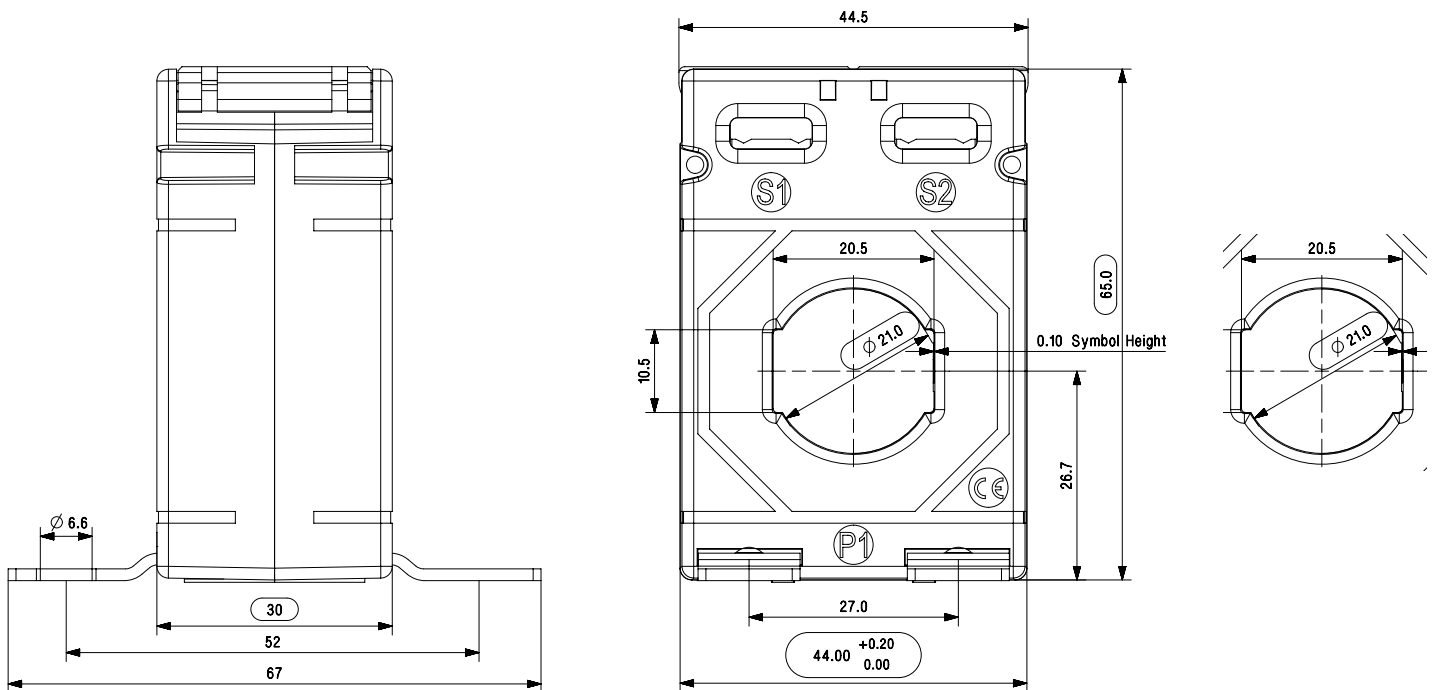


Sifam Tinsley Instrumentation Ltd
1 Warner Drive, Springwood Industrial Estate,
Braintree, Essex, CM7 2YW

sales@sifamtinsley.com
www.sifamtinsley.co.uk

SUBJECT TO CHANGE WITHOUT NOTICE This datasheet superseded all previous versions – please keep for future reference

DIMENSIONS



Product code

Description, Loop-Powered

CCT2-CAA42LP0000ST	10A = 4-20mA
CCT2-CAB42LP0000ST	20A = 4-20mA
CCT2-CAC42LP0000ST	50A = 4-20mA
CCT2-CAD42LP0000ST	100A = 4-20mA
CCT2-CAE42LP0000ST	150A = 4-20mA

Product code

Description, Self-Powered

CCT2-VAA51SP0000ST	10A = 0..5/10V
CCT2-VAB51SP0000ST	20A = 0..5/10V
CCT2-VAC51SP0000ST	50A = 0..5/10V
CCT2-VAD51SP0000ST	100A = 0..5/10V
CCT2-VAE51SP0000ST	150A = 0..5/10V

Call us now for more information: 01376 335271



Sifam Tinsley Instrumentation Ltd
1 Warner Drive, Springwood Industrial Estate,
Braintree, Essex, CM7 2YW

sales@sifamtinsley.com
www.sifamtinsley.co.uk

SUBJECT TO CHANGE WITHOUT NOTICE This datasheet superseded all previous versions – please keep for future reference