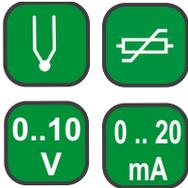


# RE22 CONTROLLER

## FEATURES:



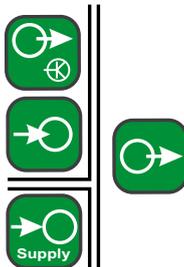
## INPUTS:



## OUTPUTS:



## GALVANIC ISOLATION:

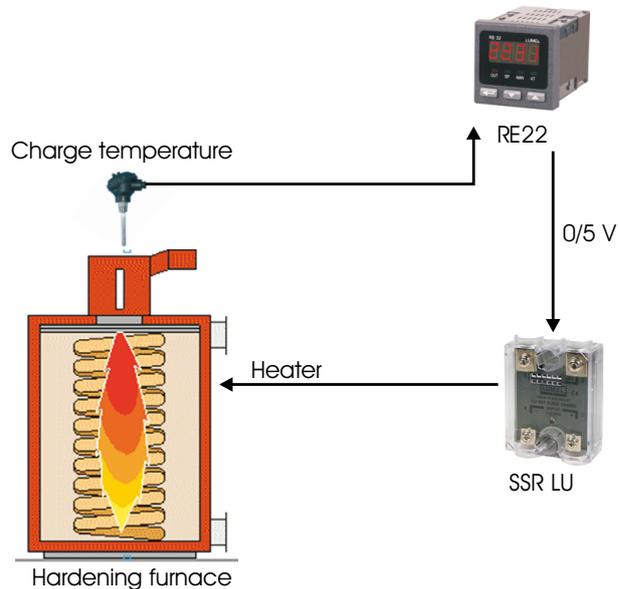


Export department:  
+48 68 45 75 130  
e-mail: export@lumel.com.pl



- Universal input for RTD and TC sensors or standard signals from transducers.
- Relay output or binary 0/5 V for relay of SSR type.
- Control of on/off type or PID with auto-tuning.
- „Soft-start” function.
- Manual operating option.

## EXAMPLE OF APPLICATION



Temperature control in a hardening furnace.

### INPUT

Input type	Designation	Range	Error
Pt100	Pt100	-199 .. 850°C	0.2%
Pt1000	Pt1000	-199 .. 850°C	0.2%
Fe-CuNi	J	-100 .. 1200°C	0.3%
Cu-CuNi	T	-100 .. 400°C	0.3%
NiCr-NiAl	K	-100 .. 1372°C	0.3%
PtRh10-Pt	S	0 .. 1767°C	0.5%
PtRh13-Pt	R	0 .. 1767°C	0.5%
PtRh30-PtRh6	B	0 .. 1820°C	0.5%
NiCr-CuNi	E	-100 .. 999°C	0.3%
NiCrSi-NiSi	N	-100 .. 1300°C	0.3%
NiCr-CuNi (GOST)	L	-100 .. 800°C	0.3%
Current channels	I	0(4) .. 20 mA	0.2% +/- 1 digit
Voltage channels	U	0(5) .. 10 V	0.2% +/- 1 digit

### OUTPUT

Output type	Properties	Remarks
Relay output	voltageless NO contacts, load capacity 5 A, 250 V a.c.	
Voltageless binary output	load capacity 5 V	resistance limiting the current: 66 Ω

# RE22 CONTROLLER

## EXTERNAL FEATURES

Readout field	LED	10 mm, 4 digits
Overall dimensions	48 × 48 × 93 mm	
Weight	0.25 kg	
Protection grade	from frontal side: IP65	from terminal side: IP20

## RATED OPERATING CONDITIONS

Supply voltage	230; 110; 24 V a.c. +/- 10%	frequency: 50 .. 60 Hz
Temperature	ambient: 0...23...50°C	storage: -20...70°C
Humidity	< 85% without condensation	
Operating position	any	
External magnetic field	< 400 A/m	

## SAFETY AND COMPATIBILITY REQUIREMENTS

Electromagnetic compatibility	noise immunity	acc. to EN 61000-6-2
	noise emissions	acc. to EN 61000-6-4
Pollution level	2	
Installation category	III	
Maximal phase-to-earth operating voltage	for supply circuit, outputs: 300 V	for input circuits: 50 V
Altitude above sea level	< 2000 m	

## CONNECTION DIAGRAMS

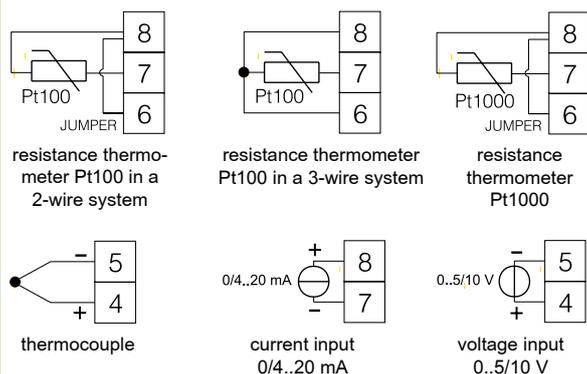


Fig.1. Connection of input signals.

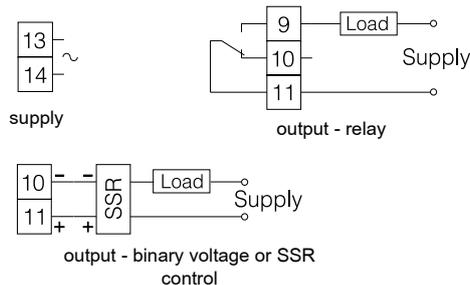


Fig.2. Connection of supply and load circuit.

## ORDERING

Ordering Code	Description
RE22 11100M0*	Controller RE22, universal input for thermocouple and resistance thermometers, supply 230 VAC; 1x relay output, documentation and descriptions in Polish and English, test certificate

\* Upon agreement, an option to order a calibration certificate for the product is available against payment. Then, in the execution code, in the place of the last character, enter the digit 2, eg **RE22 11100M2**. The customer will then receive a standard test certificate and a calibration certificate (against payment).



**Sifam Tinsley Instrumentation Ltd**  
 1 Warner Drive, Springwood Industrial Estate,  
 Braintree, Essex CM7 2YW  
 Contact No. : +44 (0) 1376 335271  
 Email: [sales@sifamtinsley.com](mailto:sales@sifamtinsley.com)  
[www.sifamtinsley.co.uk](http://www.sifamtinsley.co.uk)